



FRONTIER™ 5917RF

Multi-Pro Centrifuges



Powerful and Versatile Universal Centrifuges for Virtually Every Lab Application

Frontier™ 5917RF is a high-capacity refrigerated centrifuge suitable for a wide variety of routine and research applications in clinical, biotech and industrial labs.

FC5917RF has a capacity of up to 4x1000ml and the ability to spin a variety of bottles, tubes and plates in either fixed-angle or swing-out rotor. Available in both floor-standing and under-bench models and boasts high-speed performance at maximum volume, automatic rotor identification, and safety features that provide ergonomic and space-saving benefits.

Unique Features:

- Thanks to its powerful motor, the FC5917RF delivers precise separation results achieving values up to 16,010 rpm and 26,361 g-force. This can be configured to fit workflow needs using a selection of rotors and accessories.
- The intuitive design of the centrifuges & accessories enable easy access to parameter settings, with the flexibility to change parameters during operation without the need to stop the machine. Features include automatic rotor recognition and backlit LCD.
- The performance of these centrifuges is propelled by German engineering, and high-quality components for reliable use. Constructed of chemical-resistant stainless steel to ensure durability in lab use.
- Frontier™ 5000 Series is equipped with protective features, including automatic over-speed protection, imbalance detection and self-diagnostic system to ensure reliable use and operator safety.

FRONTIER™ FC5917RF Multi-Pro Centrifuges

Maximum Application Flexibility Within Space-Saving Design

- The FC5917RF model is available in two options: as a floor-standing unit or an under-bench unit, maximizing lab space and storage
- Thanks to its ergonomically designed height, the work area has been optimized, allowing for easy loading and unloading of samples
- Integrated wheels make it easy to move around, lending to even more flexibility
- 6 rotor configurations for a broad spectrum of applications and workflows. From high-throughput samples all the way to cell and blood separation
- Capacity of up to 4 x 1000ml with the ability to spin up to 192 blood tubes or 96 15ml conical tubes and 40 50ml conical tubes



Intuitively Designed for Simple Operation

- Automatic rotor identification makes switching between applications extremely easy
- Simple one-hand operation enabled by the selection button/rotary knob combination – even when wearing gloves
- Intuitive, easy-to-read backlit LCD display shows centrifugation settings and real-time parameters on one interface
- Store up to 99 runs for easy recall, including parameter settings and rotor types



Solid Engineering Ensures Reliability

- Maintenance-free induction motor provides maximum G-force of 26,361 x g
- Pre-cooling program to quickly reach desired temperature
- Chemical and corrosion-resistant stainless steel rotor chamber ensures cleanability in lab environments
- Self-diagnostic program to record usage and error history for easy maintenance and to minimize downtime




Safety Features for Increased Security

- Over-speed protection, immediately upon rotor insertion
- Active imbalance-detection with individual imbalance tolerances set for each rotor
- Motorized lid-locking system to protect operators from accidental injuries
- Sealed and TÜV certified rotors to safeguard operators from harmful aerosols



FRONTIER™ FC5917RF Multi-Pro Accessories

	Order No.	83041512			
	Description	Rotor Swing out 4 x 1000 ml ID Sealable			
	Compatible with	FC5917RF			
	Max. Speed	4,600 rpm			
	Max. RCF	5,204 x g			
Accessories					
Order No.	Description	Vol./Tube	Diameter	Tube type	No.of tubes / rotor
Round Bucket (with TUV Certificate) and accessories					
83041513	Bucket 1 x 1000 ml w/o Cap 2/pk	1000 ml	98 mm	Flat Bottom	4
30553122*	Lid Assembly for round bucket 2/pk	-	-	-	-
30553123	O-Ring for round bucket 10/pk	-	-	-	-
83041514	Rack 1 x 500 ml D69.5 mm FB 2/pk	500 ml	69.6 mm	Flat Bottom	4
30553124	Rack 1 x 500 ml D97 mm FA 2/pk	500 ml	97 mm	Conical Bottom Corning®	4
30553125	Rack 1 x 250 ml D62 mm FB 2/pk V1	250 ml	62 mm	Flat Bottom	4
83041515	Rack 1 x 250 ml D60 mm FA 2/pk	250 ml	60 mm	Conical Bottom	4
30553126	Rack 1 x 175/225 ml D61 mm FA 2/pk	175/225 ml	61 mm	Conical Bottom Corning®	4
30553127	Rack 3 x 100 ml D41 mm RB 2/pk	100 ml	41 mm	Round Bottom	12
30553131	Rack 7 x 50 ml D29 mm RB 2/pk	50 ml	29 mm	Round Bottom	28
30553128	Rack 5 x 50 ml D29 mm FA 2/pk	50 ml	29 mm	Conical Bottom	20
30553129	Rack 5 x 50 ml D29 mm Rim 2/pk	50 ml	29 mm	Skirted Conical	20
30553132	Rack 8 x 30 ml D26 mm RB 2/pk	30 ml	26 mm	Round Bottom	24
30553135	Rack 18 x 15 ml D17 mm RB 2/pk	15 ml	17 mm	Round Bottom	72
83041516	Rack 12 x 15 ml D17 mm FA 2/pk	15 ml	17 mm	Conical Bottom	48
30553136	Rack 21 x 10 ml D16 mm RB 2/pk	10 ml	16 mm	Round Bottom	84
83041517	Rack 35 x 5-7 ml D13 mm RB 2/pk	5-7 ml	13 mm	Round Bottom	140
30553140	Rack 18 x 4/10 ml D16 mm Vac/Sar 2/pk	4-10 ml	16 mm	Vacutainer®/Sarstedt®	72
30553139	Rack 27 x 1.8/7 ml D13 mm Vac/Sar 2/pk	1.8-7 ml	13 mm	Vacutainer®/Sarstedt®	108
30559377	Rack 38 x 1.1/1.4 ml D8 mm Sar 2/pk	1.1-1.4 ml	8 mm	Vacutainer®/Sarstedt®	152
83041040	Rack 24 x 1.5/2.0 ml D11 mm 2/pk	1.5-2.0 ml	11 mm	Microtube	96
Rectangular Bucket and accessories					
83041518	Bucket 1 x 500 ml or 7xMTP w/o Lid 2/pk	-	-	MTP	28
83041519	Holder removing aid bucket 83041518 2/pk	-	-	-	-
83041482	Rack 1 x 500 ml D98 mm FB 2/pk	500 ml	98 mm	Flat Bottom	4
30553124▲	Rack 1 x 500 ml D97 mm FA 2/pk	500 ml	97 mm	Conical Bottom Corning®	4
83041483	Rack 2 x 250/290 ml D61 mm FB 2/pk	250-290 ml	61 mm	Flat Bottom	8
83041484▲▲	Rack 1 x 175/225 ml D61 mm FA 4/pk	175-225 ml	61 mm	Conical Bottom	4
83041485	Rack 3 x 100 ml D40 mm 2/pk	100 ml	40 mm	Round Bottom	12
83041486	Rack 10 x 50 ml D29 mm RB 2/pk	50 ml	29 mm	Round Bottom	40
83041487	Rack 10 x 50 ml D29 mm FA 2/pk	50 ml	29 mm	Conical Bottom	40
83041488	Rack 24 x 15 ml D17 mm FA 2/pk	15 ml	17 mm	Conical Bottom	96
83041489	Rack 24 x 5 ml D17 mm FA 2/pk	5 ml	16 mm	Conical Bottom	96
83041490	Rack 38 x 5.5-12 ml D16 mm Vac/Sar 2/pk	5.5-12 ml	16 mm	Vacutainer®/Sarstedt®	152
83041491	Rack 48 x 2.6-8 ml D13 mm Vac/Sar 2/pk	2.6-8 ml	13 mm	Vacutainer®/Sarstedt®	192

▲30553124 Can be used only with 83041482

▲▲83041484 Can be used only with 83041483

* BIOSEALS certified: When using the Lid Assembly (with 1 EA O-ring) on the rotor, the buckets are hermetically sealed. O-ring should be changed when it's worn.

Multi-Pro Accessories

Packages for Round Bucket

Cell Culture Package



Order No.	Description		
83041492	Package Cell Culture for 1000ml Bucket (BIOSEALS certified)		
Products Included in the Package			
Order No.	Description	Qty	Number of Tubes
83041512	Rotor Swing out 4x1000ml ID Sealable	1	-
83041513	Bucket 1x1000ml w/o Cap 2/pk	2	-
30553122	Lid Assembly for round bucket 2/pk	2	-
30553128	Rack 5x50ml D29mm FA 2/pk	2	20
83041516	Rack 12x15ml D17mm FA 2/pk	2	48

Blood Tube Package



Order No.	Description		
83041493	Package Blood Tubes for 1000ml Bucket (BIOSEALS certified)		
Products Included in the Package			
Order No.	Description	Qty	Number of Tubes
83041512	Rotor Swing out 4x1000ml ID Sealable	1	-
83041513	Bucket 1x1000ml w/o Cap 2/pk	2	-
30553122	Lid Assembly for round bucket 2/pk	2	-
30553139	Rack 27x1.8/7ml D13mm Vac/Sar 2/pk	2	108
30553140	Rack 18x4/10ml D16mm Vac/Sar 2/pk	2	216

Packages for Rectangular Bucket

High-Capacity Cell Culture Package




Order No.	Description		
83041494	Package Cell Culture for 500ml Bucket		
Products Included in the Package			
Order No.	Description	Qty	Number of Tubes
83041512	Rotor Swing out 4x1000ml ID Sealable	1	-
83041518	Bucket 1x500ml or 7xMTP w/o Lid 2/pk	2	-
83041487	Rack 10x50ml D29mm FA 2/pk	2	40
83041488	Rack 24x15ml D17mm FA 2/pk	2	96

High-Capacity Blood Tube Package



Order No.	Description		
83041495	Package Blood Tubes for 500ml Bucket		
Products Included in the Package			
Order No.	Description	Qty	Number of Tubes
83041512	Rotor Swing out 4x1000ml ID Sealable	1	-
83041518	Bucket 1x500ml or 7xMTP w/o Lid 2/pk	2	-
83041491	Rack 48x2.6-8ml D13mm Vac/Sar 2/pk	2	192
83041490	Rack 38x5.5-12ml D16mm Vac/Sar 2/pk	2	152

FRONTIER™ FC5917RF Multi-Pro Accessories


	Order No.	30553085
	Description	Rotor Swing out 4 x 750 ml ID Sealable
	Compatible with	FC5917RF
	Max. Speed	4,500 rpm
	Max. RCF	4,346 x g

Accessories

Order No.	Description	Vol./Tube	Diameter	Tube type	No.of tubes / rotor
Bucket for MTP (with TUV Certificate) and accessories					
30553104	Bucket 3 x MTP 2/pk V1	-	-	MTP	12
30553105	Holder Removing aid Bucket 30553104 2/pk	-	-	-	-
30553117*	Lid Assembly for Bucket 30553104 2/pk	-	-	-	-
30553118	O-Ring for bucket 30553104 2/pk	-	-	-	-
Bucket for MTP (without TUV Certificate)					
30553119	Bucket 3 x MTP 2/pk V2	-	-	MTP	12
Round Bucket and accessories					
30602502	Bucket 1 x 750 ml D98 mm FB 2/pk	500 ml	98 mm	Flat Bottom	4
30553122*	Lid Assembly for round bucket 2/pk	-	-	-	-
30553123	O-Ring for round bucket 10/pk	-	-	-	-
30553124	Rack 1 x 500 ml D97 mm FA 2/pk	500 ml	97 mm	Conical Bottom Corning®	4
30553125	Rack 1 x 250 ml D62 mm FB 2/pk V1	250 ml	62 mm	Flat Bottom	4
30772866	Rack 1 x 250 ml D60 mm FA 2pk	250 ml	60 mm	Conical Bottom	4
30553126	Rack 1 x 175/225 ml D61 mm FA 2/pk	175/225 ml	61 mm	Conical Bottom	4
30553127	Rack 3 x 100 ml D41 mm RB 2/pk	100 ml	41 mm	Round Bottom	12
30553128	Rack 5 x 50 ml D29 mm FA 2/pk	50 ml	29 mm	Conical Bottom	20
30553129	Rack 5 x 50 ml D29 mm Rim 2/pk	50 ml	29 mm	Skirted Conical Bottom	20
30553130	Rack 7 x 50 ml D29 mm FA 2/pk	50 ml	29 mm	Conical Bottom	28
30553131	Rack 7 x 50 ml D29 mm RB 2/pk	50 ml	29 mm	Round Bottom	28
30553132	Rack 8 x 30 ml D26 mm RB 2/pk	30 ml	26 mm	Round Bottom	32
83041032▲	Adapter 1 x 25 ml D29 mm FA 2/pk	25 ml	29 mm	Conical Bottom	6
30553133	Rack 14 x 15 ml D17 mm FA 2/pk	15 ml	17 mm	Conical Bottom	56
30553134	Rack 17 x 15 ml D17 mm FA 2/pk	15 ml	17 mm	Conical Bottom	68
30553135	Rack 18 x 15 ml D17 mm RB 2/pk	15 ml	17 mm	Round Bottom	72
30553136	Rack 21 x 10 ml D16 mm RB 2/pk	10 ml	16 mm	Round Bottom	84
30553138	Rack 32 x 7 ml D13 mm RB 2/pk	7 ml	13 mm	Round Bottom	128
30553139	Rack 27 x 1.8-7 ml D13 mm Vac/Sar 2/pk	1.8-7 ml	13 mm	Vacutainer®/Sarstedt®	108
30553140	Rack 18 x 4-10 ml D16 mm Vac/Sar 2/pk	4-10 ml	16 mm	Vacutainer®/Sarstedt®	72
30559377	Rack 38 x 1.1-1.4 ml D8 mm Sar 2/pk	1.1-1.4 ml	8 mm	Sarstedt®	152
83041040	Rack 24 x 1.5/2.0 ml D11 mm 2/pk	1.5/2.0 ml	11 mm	Microtube	96

▲Only possible with Rack 30553128 or 30553130


* BIOSEALS certified: When using the Lid Assembly (with 1 EA O-ring) on the rotor, the buckets are hermetically sealed. O-ring should be changed when it's worn.

	Order No.	30553086
	Description	Rotor Angle 4 x 500 ml ID
	Compatible with	FC5917RF
	Max. Speed	8,000 rpm
	Max. RCF	10,374 x g

Accessories

Order No.	Description	Vol./Tube	Diameter	Tube type	No.of tubes / rotor
Without Adapter	Rotor Angle 4 x 500 ml ID	500 ml	96 mm	Round Bottom/Conical Bottom	4
30559416	Adapter 1 x 250 ml D60.5 mm FA 2/pk	250 ml	60.5 mm	Conical Botom	4
30564850	Adapter 1 x 250 ml D61.5 mm FB 2/pk	250 ml	61.5 mm	Flat Bottom	4
30559417	Adapter 1 x 175/225 ml D61.5 mm FA 2/pk	175/225 ml	61.5 mm	Conical Botom	4
30559419	Adapter 1 x 50 ml D29.5 mm FA 2/pk	50 ml	29.5 mm	Conical Botom	4
30559420	Adapter 3 x 50 ml D29 mm RB 2/pk	50 ml	29 mm	Round Bottom	12
30559421	Adapter 4 x 30 ml D25.5 mm RB 2/pk	30 ml	25.5 mm	Round Bottom	16
30559422	Adapter 6 x 15 ml D17 mm FA 2/pk	15 ml	17 mm	Conical Botom	24


FRONTIER™ FC5917RF Multi-Pro Accessories

	Order No.	30314821
	Description	Rotor Angle 6 x 250 ml FB ID
	Compatible with	FC5917RF
	Max. Speed	8,000 rpm
	Max. RCF	10,016 x g

Accessories

Order No.	Description	Vol./Tube	Diameter	Tube type	No. of tubes / rotor
Without Adapter	Rotor Angle 6 x 250 ml FB ID	250 ml	62 mm	Flat Bottom	6
30559414	Adapter 1 x 175/225 ml D61 mm FA 2/pk	175/225 ml	61 mm	Conical Bottom	6
30304373	Adapter 1 x 50 ml D29 mm RB 2/pk	50 ml	29 mm	Round Bottom	6
30304374	Adapter 1 x 50 ml D30 mm FA 2/pk	50 ml	30 mm	Conical Bottom	6
30304372	Adapter 2 x 30 ml D26 mm RB 2/pk	30 ml	26 mm	Round Bottom	12
83041032▲	Adapter 1 x 25 ml D29 mm FA 2/pk	25 ml	29 mm	Conical Bottom	6
30304371	Adapter 4 x 15 ml D17 mm FA 2/pk	15 ml	17 mm	Conical Bottom	24
30304370	Adapter 5 x 10 ml D16 mm RB 2/pk	10 ml	16 mm	Round Bottom	30
30304369	Adapter 8 x 1.5/2.0 ml D11 mm 2/pk	1.5/2.0 ml	11 mm	Microtube	48
30559412	Adapter 15 x 1.5/2.0 ml D11 mm MTB 2/pk	1.5/2.0 ml	11 mm	Microtube	90


▲Only possible with Adapter 30304374

	Order No.	30314827
	Description	Rotor Angle 4 x 85 ml RB ID Hi
	Compatible with	FC5917RF
	Max. Speed	16,010 rpm
	Max. RCF	26,361 x g

Accessories

Order No.	Description	Vol./Tube	Diameter	Tube type	No. of tubes / rotor
Without Adapter	Rotor Angle 4 x 85 ml RB ID Hi	85 ml	38 mm	Round Bottom	4
30314895	Adapter 1 x 50 ml D29 mm RB 2/pk V1	50 ml	29 mm	Round Bottom	4
30314896*	Adapter 1 x 50 ml D29 mm FA 2/pk	50 ml	29 mm	Conical Bottom	4
30314894	Adapter 1 x 30 ml D25 mm RB 2/pk	30 ml	25 mm	Round Bottom	4
30314899	Adapter 1 x 16 ml D18 mm RB 2/pk	16 ml	18 mm	Round Bottom	4
30314897*	Adapter 1 x 15 ml D17 mm FA 2/pk	15 ml	17 mm	Conical Bottom	4
30314898	Adapter 2 x 15 ml D17 mm RB 2/pk	15 ml	17 mm	Round Bottom	8
30314893	Adapter 1 x 15 ml D17 mm RB 2/pk	15 ml	17 mm	Round Bottom	4

*Only without rotor lid

	Order No.	30314829
	Description	Rotor Angle 10 x 50 ml FA ID
	Compatible with	FC5917RF
	Max. Speed	10,500 rpm
	Max. RCF	16,022 x g

Accessories

Order No.	Description	Vol./Tube	Diameter	Tube type	No. of tubes / rotor
Without Adapter	Rotor Angle 10 x 50 ml FA ID	50 ml	29 mm	Conical Bottom	10
83041032	Adapter 1 x 25 ml D29 mm FA 2/pk	25 ml	29 mm	Conical Bottom	10
30472300	Adapter 1 x 15 ml D17 mm RB 2/pk V1	15 ml	17 mm	Round Bottom	10
30472307	Adapter 1 x 15 ml D17 mm FA 2/pk V1	15 ml	17 mm	Conical Bottom	10
30130889▲	Adapter 1 x 7 ml D13 mm RB/Vac/Sar 2/pk	7 ml	13 mm	Round Bottom/Vacutainer®/Sarstedt®	10
30130890▲	Adapter 1 x 5 ml D13 mm RB/Vac/Sar 2/pk	5 ml	13 mm	Round Bottom/Vacutainer®/Sarstedt®	10
30130886▲	Adapter 1 x 1.5/2.0 ml D11 mm 6/pk	1.5/2.0 ml	11 mm	Microtube	10

▲Only possible with adapter 30472300 or 30472307

FRONTIER™ FC5917RF Multi-Pro Centrifuges

Model	FC5917RF	FC5917RF Short
Speed Range	200 rpm – 16,010 rpm; 10 rpm/set	
Maximum RCF	26,361 x g; 10 x g/set	
Maximum Capacity (Swing Out Rotor)	4 x 1000 ml	
Maximum Capacity (Angle Rotor)	6 x 250 ml	
Temperature Range	-20° to 40°C/1°C increments	
Running Time	Quick Spin, 10 sec to 99 hr 59 min 59 sec, or continuous	
Noise Level	≤ 63+2 dB(A)	
Acc/Dec Levels	10/10	
Allowable Density at Maximum Speed	1.2 g/ml	
Allowable Kinetic Energy	70412 Nm	
AC Power	230 V ~ 50/60 Hz	
Voltage Fluctuation	± 10 %	
Current Consumption	13 A	
Power Consumption	2.3 kW	
Dimensions (W x D x H)	620 x 690 x 980 mm	620 x 690 x 700 mm
Net Weight (with rotor)	190 kg	157 kg
Shipping Dimensions (W x D x H)	400 x 660 x 520 mm	930 x 780 x 930 mm
Shipping Weight (with rotor)	225 kg	183 kg
Environment	For indoor use only	

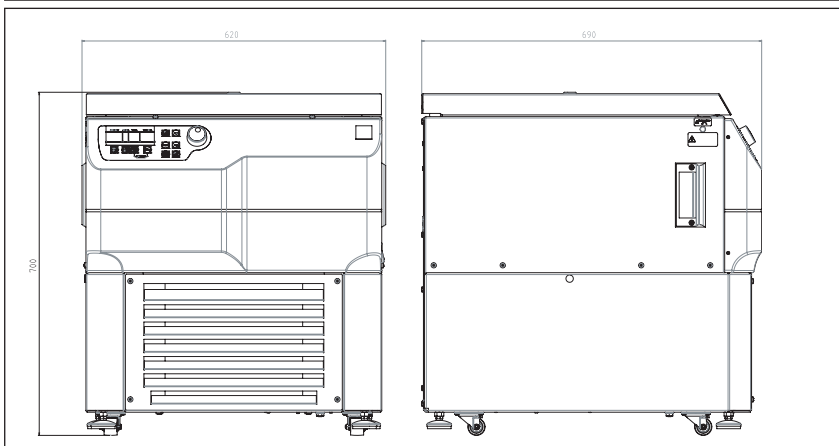
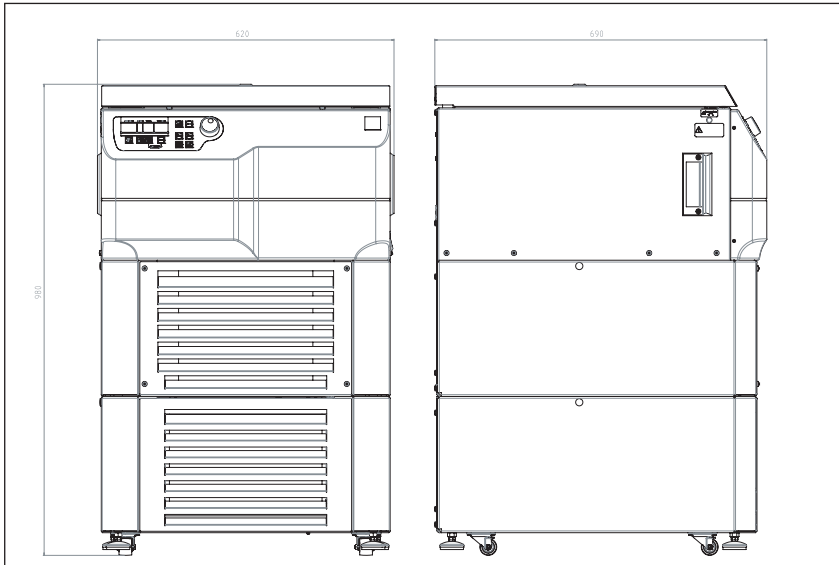
Other Standard Features and Equipment

Ten acceleration and ten deceleration rates, pre-selection of running time from 10s to 99h 59min or continuous, audible signal at the end of each run with melody options, quick spin, CFC-free refrigeration system, sample temperature indication and standstill cooling (refrigerated models).

Compliance

- Product Safety: EN 61010-1; EN 61010-2-020
- EMC: EN 61326-1

Outline Dimensions



80776934_A 20240613 © Copyright OHAUS Corporation

OHAUS Europe GmbH
 e-mail: ssc@ohaus.com
 Tel: 0041 22 567 53 19
 e-mail: tsc@ohaus.com
 Tel: 0041 22 567 53 20

www.ohaus.com

The management system governing the manufacture of this product is ISO 9001:2015 certified.

