

# Orbitrap Exploris 480 Mass Spectrometer

## Extraordinary simplified

### Introduction

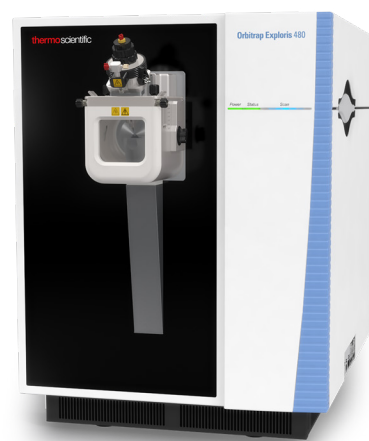
The Thermo Scientific™ Orbitrap Exploris™ 480 mass spectrometer is a Thermo Scientific™ quadrupole-Orbitrap™ mass spectrometer, based on the hardware and instrument control software designs of the next-generation Thermo Scientific™ mass spectrometers and incorporates extensive customer and service engineer feedback.<sup>1</sup>

Built on the guiding principle of ease-of-use and reliable hardware, robust system performance boosts sample throughput. Soundness of data is assured with high-resolution accurate-mass (HRAM) selectivity, high scan speed and best-in-class mass spectral quality, all within a compact footprint to conserve bench space.

Simplified operation, smart scheduling and execution of user selected scan types deliver rich, high-confidence sample insights for users of all skill levels in a wide range of applications from small molecules to peptides and intact proteins.

### Benefits

- Premium quantitative and qualitative performance with the fast-scanning High-Field Thermo Scientific™ Orbitrap™ mass analyzer
- Next-generation software with intuitive tuning, single-click calibration, drag-and-drop method setup, and pre-defined experiments
- Prolonged robustness and improved serviceability increase uptime
- Hardware and software shared with next-generation Thermo Scientific™ mass spectrometers<sup>1</sup> streamlines method transfer and familiarization
- Compatible with Thermo Scientific™ next generation ion sources including FAIMS Pro Duo interface



- Enhanced peptide quantitation with SureQuant and TurboTMT
- Extended mass transmission and detection up to  $m/z$  8,000 with the Thermo Scientific™ BioPharma option

### Hardware features

#### Ion source

#### Thermo Scientific™ OptaMax™ NG ion source

- Ultimate sensitivity with an efficient, heated electrospray ionization (H-ESI) sprayer to deliver maximum performance with minimal optimization
- Additional non-heated low-flow calibrant sprayer for optimal mass and system calibration
- Flow rates from 1–1000  $\mu\text{L}/\text{min}$ :
  - low flow needle 1–10  $\mu\text{L}/\text{min}$
  - high flow needle 10–1000  $\mu\text{L}/\text{min}$
- Enhanced ruggedness and reduced chemical noise with sweep gas

## Ion optics

The atmospheric pressure ionization (API) interface consists of:

### **High-capacity ion transfer tube (HCTT)**

- Improved sensitivity and desolvation with increased ion flux into the vacuum system
- Vent-free maintenance

### **Electrodynamic ion funnel (EDIF)**

- A radio frequency (RF) device, efficiently captures ions as they leave the HCTT
- Automatic tuning results in broad ion transmission curves with reduced ion losses, increasing sensitivity

### **Advanced active beam guide (AABG)**

- Reduces noise by preventing neutrals and high-velocity clusters from entering the quadrupole mass filter using a double bent design geometry
- Axial field along the length of the rods improves ion transfer robustness

### **Advanced quadrupole technology (AQT)**

- Segmented quadrupole mass filter for precursor ion selection with variable precursor isolation width from 0.4 to 1200 u
- MS/MS precursor ion selection with high transmission from  $m/z$  40 to 2500
- Prolonged uptime due to patented configuration switching mode

### **Ion-routing multipole (IRM)**

- Robust ion trapping for MS scans and higher energy collisional dissociation (HCD)
- Nitrogen collision gas

### **Automatic gain control (AGC)**

Reliable AGC measurements for controlled injection of the number of ions is ensured by the novel Independent Charge Detector

### **Thermo Scientific™ Orbitrap™ mass analyzer**

- Ultra-high-field Thermo Scientific Orbitrap mass analyzer with 4 kV central electrode voltage
- Low noise detection pre-amplifier

## Vacuum system

- A compact single six-stage turbomolecular pump design regulates the adequate vacuum in six stages for the aluminum high-vacuum analyzer chambers
- Advanced vacuum technology reduces pressure in the ultra-high vacuum regions, enhancing transmission of ions to the Orbitrap mass analyzer

### **Thermo Scientific™ EASY-IC™ ion source**

- Provides <1 ppm RMS mass accuracy under defined conditions with minimum effort
- Generates optional internal reference ions for real-time mass correction of spectra in both positive and negative ionization mode
- Available as field-upgrade or factory-installed option

### **Optional hardware**

#### **Thermo Scientific™ BioPharma option**

- Analysis of large molecules including intact proteins and large complexes sprayed under denatured or native conditions
- Includes mass transmission and detection up to  $m/z$  8000

#### **Thermo Scientific™ EASY-Spray™ NG ion source**

- Maximum nanoelectrospray performance with minimum adjustment

#### **Thermo Scientific™ NanoSpray Flex™ NG ion source**

- Supports static and dynamic electrospray experiments
- Compatible with liquid flow rates of 50–2000 nL/min

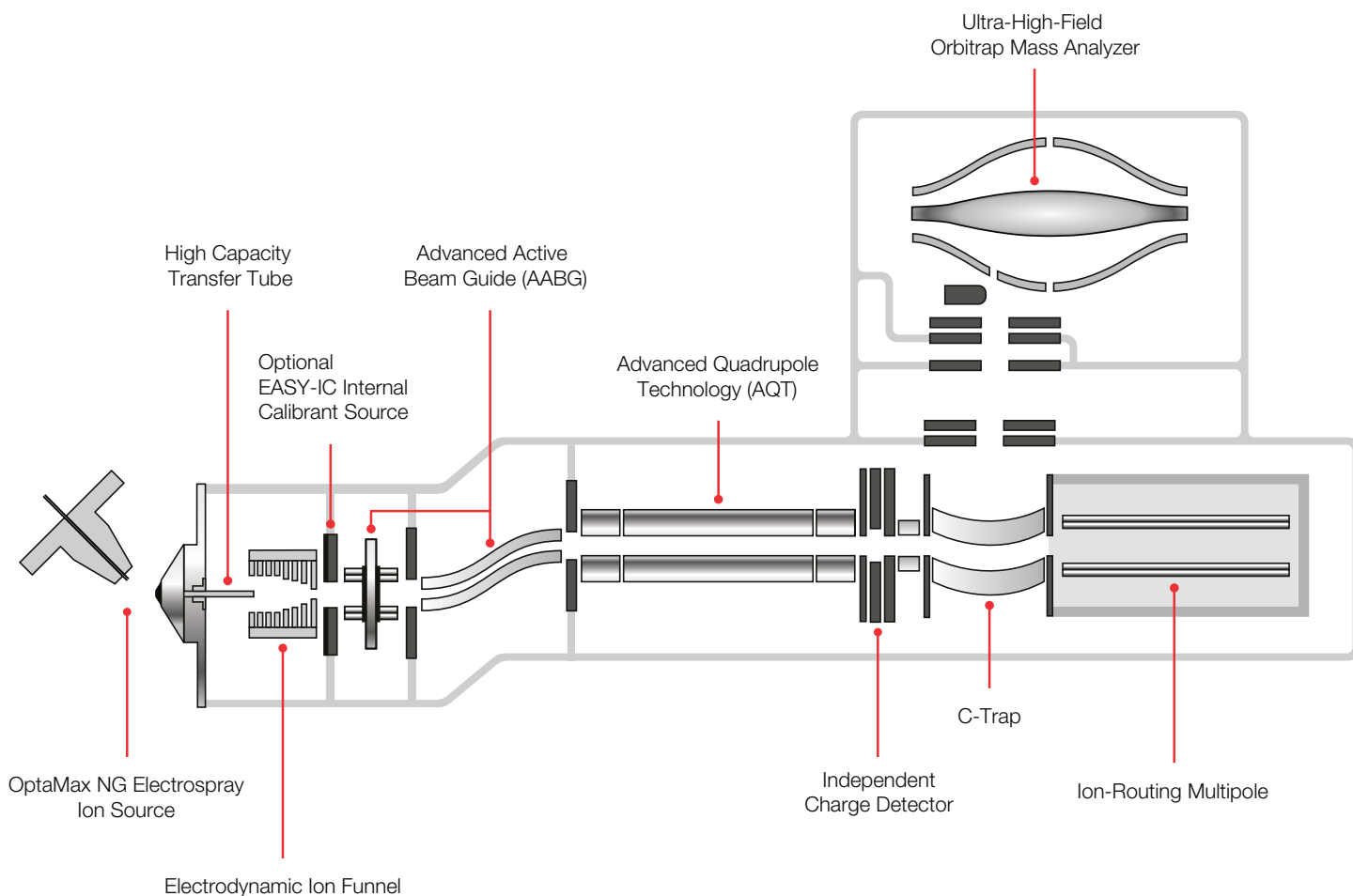
#### **APCI probe for OptaMax NG ion source**

- Compatible with flow rates 50–1000  $\mu\text{L}/\text{min}$  without splitting
- The APCI probe can be upgraded to APPI

#### **Thermo Scientific™ FAIMS Pro™ Duo interface**

- FAIMS Pro Duo interface (high field asymmetric ion mobility spectrometry) augments analytical selectivity, enabling identification and quantitation of more proteins while reducing time-consuming sample preparation
- Performs online gas-phase fractionation based on differential ion mobility
- Optimized for 0.1–1000  $\mu\text{L}/\text{min}$  flow rates
- CV switching time of 25 ms

## Orbitrap Exploris 480 mass spectrometer ion path



## Performance specifications

Mass Range	Standard mass range $m/z$ 40–6000, up to $m/z$ 8000 with BioPharma option
Orbitrap Mass Analyzer Resolution	Up to 480,000 at $m/z$ 200
Scan Rate*	Up to 40 Hz at resolution setting at 7500
Mass Accuracy*	External calibration achieves <3 ppm RMS drift over 24 hours; Internal lock mass calibration achieves <1 ppm RMS drift over 24 hours; EASY-IC achieves <1 ppm RMS drift for at least 5 days
Sensitivity	MS/MS: 50 fg reserpine on column S/N 100:1 SIM: 50 fg reserpine on column S/N 150:1
Dynamic Range*	>5000 within a single Orbitrap mass analyzer spectrum
Polarity Switching	One Full Scan cycle** <700 ms equals >1.4 Hz One tSIM Scan cycle** <600 ms equals >1.6 Hz
Multiplexing	Up to 20 precursor ions per scan
Analog Inputs	Channel 1 analog input ( $\pm 10$ V), Channel 2 analog ( $\pm 10$ V)

\* Under defined conditions

\*\* One cycle consists of acquiring one Full Scan in positive mode and one Full Scan in negative mode at resolution setting 60,000  
one tSIM Scan in positive mode and one tSIM Scan in negative mode at resolution setting 60,000

## Data acquisition system

### Data System

- High-performance PC with Intel® microprocessor
- High-resolution LED color monitor
- Microsoft® Windows® 10 Enterprise (Long Term Service version) operating system
- High-speed real-time data acquisition and instrument control
- Automatic calibration of all ion transfer and analysis parameters via instrument control software

### Thermo Scientific™ Orbitrap Exploris™ instrument control software

- Tune application for instrumental mass and system calibrations and checks, diagnostics, and manual data acquisition
- Method Editor with a comprehensive application-specific template library, method setup supported by tooltips, and a and drag-and-drop user interface to facilitate method development
- Consistent instrument control software whether using Xcalibur software, Thermo Scientific™ Chromeleon™ Chromatography Data Systems (CDS) or Thermo Scientific™ TraceFinder™ for data acquisition

### Thermo Scientific™ Xcalibur™ software

- Xcalibur software is the acquisition software for the next-generation Thermo Scientific mass spectrometer portfolio
- Accelerates familiarization and reduces training needs

### Thermo Scientific AcquireX Intelligent Data Acquisition Workflow

AcquireX data acquisition workflows provide comprehensive small molecule sample profiling on an LC timescale using automated, logic-based sample re-injection with inter-run inclusion and exclusion lists

## Operation modes

### Resolution settings

Ranging from 7500 to 480,000 at  $m/z$  200

### TurboTMT intelligent data acquisition mode

Novel processing mode powered by Phased Spectrum Deconvolution Method (ΦSDM) specifically designed to improve the acquisition rate of TMT experiments

## Advanced peak determination (APD)

Precursor annotation algorithm for improved charge state assignment to increase the number of precursors available for data-dependent analysis

### Application-specific system templates

Sets optimal default instrument parameters and manages application-specific system templates for easy method development and execution

### Application mode

Sets optimal default instrument parameters and manages application-specific system templates for easy method development and execution. Available modes are:

- Small molecule
- Peptide
- Intact protein (included with BioPharma option)

### General

- Application Modes 'Small Molecule', 'Peptide', 'IntactProtein' are available
- With Application Mode 'Small Molecules', a method can apply to Xcalibur AcquireX workflows (optional); it is a global setting and applies to the entire run
- 'Mild Trapping' is available with Application Mode 'Small Molecule' and can be applied optionally for particularly labile compounds; it is a global setting and applies to the entire run
- With Application Mode 'Intact Protein', pressure regimes (low, standard and high) can be selected for best performance with native and denaturing conditions
- APD is available optionally with all Application Modes. APD can be checked for improved determination of a) charge states and b) monoisotopic  $m/z$  values of isotopic envelopes
- Multiple experiments can be set up within one method
- One experiment can contain combinations of scans
- 'Collision Energy Type' can be selected: 'Normalized (NCE)' and 'Absolute (CE)'
- Collision Energy Mode' can be selected: 'Fixed' and 'Stepped'

## Scan functions

Unique scan types are available

- Full MS scan
- AIF
- tSIM
- DIA
- tMS<sup>2</sup>

and combinable within one single experiment, such as:

- Full Scan ddMS<sup>2</sup>
- Full Scan ddSIM

Both with 'Number of Scans' (= TopN), 'Cycle Time' or 'Scans per Outcome' (branching)

In addition, multiple experiments can be created combining all of the above listed scan types.

## Filters

Filters guide data-dependent (discovery and confirmational) decisions on the fly and in real time. To achieve optimum results when applying application-dependent filter settings, the user is guided with the appropriate application-dependent default parameter settings and tool-tip text

Filters can be selected as follows:

- Dynamic Exclusion
- Intensity
- Precursor Fit
- Charge State
- Targeted Mass Inclusion
- Targeted Mass Exclusion
- MIPS (Monoisotopic Precursor Selection)
- Precursor Selection Range
- Apex Detection
- Isotope Exclusion

## Targeted mass trigger

Performs data-dependent scans upon the detection of a defined product ion for targeted, confirmational experimental set-ups

## Optional data acquisition and analysis software

### Thermo Scientific™ Proteome Discoverer™ software

Simplifies a wide range of proteomics workflows, from protein and peptide identification to PTM analysis to isobaric mass tagging, and SILAC and label-free quantitation

### Thermo Scientific™ BioPharma Finder™ software

Provides complete protein characterization, including intact protein mass analysis, top- and middle-down analysis, peptide mapping or multi-attribute method (MAM) workflows

### Thermo Scientific™ ProSightPC™ software

Stand-alone software for analyzing top-down, middle-down, and bottom-up data

### Thermo Scientific™ Compound Discoverer™ software

Streamlines small molecule unknown identification, determination of real differences between samples, and elucidation of biological pathways with an integrated suite of data analysis tools

### Thermo Scientific™ TraceFinder™ software

Acquire and process your high-throughput screening and quantitation with built-in intelligence, driving productivity gains from data acquisition and processing to reporting

### Thermo Scientific Chromeleon Chromatography Data System (CDS)

Streamlined chromatographic and MS screening and quantitative workflows within an enterprise and compliance-ready single software application

## Installation requirements

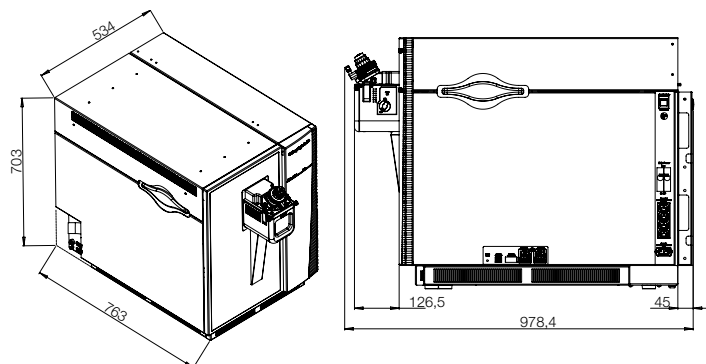
### Power

- 2×208–240 Vac single phase, 15 A, 50/60 Hz, with earth ground for instrument and source vacuum pump
- 115 or 230 Vac single phase, 15 A, 50/60 Hz, with earth ground for auxiliary forepump
- 208–240 Vac single phase, 15 A, 50/60 Hz, with earth ground for the data system

## Gas

- Source gas: high-purity nitrogen gas supply (>99% pure at  $600 \pm 50$  kPa [ $6.0 \pm 0.5$  bar,  $87 \pm 7$  psi])
- A pre-regulator might be required to keep the source gas pressure within the required limits
- HCD collision gas: ultra-high-purity nitrogen (UHP > 99.999% pure) at  $600 \pm 50$  kPa [ $6.0 \pm 0.5$  bar]
- For EASY IC option: ultra-high-purity nitrogen (UHP > 99.999% pure<sup>†</sup>) at  $600 \pm 50$  kPa [ $6.0 \pm 0.5$  bar]

<sup>†</sup> with less than one ppm each water and oxygen



## Dimensions (w, d, h)

- 534 × 763 × 703 mm (21 × 30 × 27.7 in)

## Weight

- 120 kg (265 lb) without data system, vacuum rough pumps, and optional items

## Environment

- System averages 3440 W (11,730 Btu/h) output when considering air conditioning needs
- Operating environment must be 18–27 °C (64–81 °F). Relative humidity must be 20–80% with no condensation
- Designed for indoor use at an altitude of up to 3000 m (10,000 ft) above sea level

## Reference

1. Thermo Scientific™ Tribrid™ mass spectrometers, Thermo Scientific™ TSQ Altis™ mass spectrometer, Thermo Scientific™ TSQ Quantis™ mass spectrometer, and Thermo Scientific™ TSQ Fortis™ mass spectrometer.

Learn more at [thermofisher.com/OrbitrapExploris480](https://thermofisher.com/OrbitrapExploris480)